
PREFORMED RUBBER O-RING, PACKING, SEALS REQUIRING WATERPROOF PACKAGING

1.0 SCOPE

This standard provides a method for the individual packaging of preformed rubber O-rings, packing, seals, and similar types of items requiring waterproof/opaque packaging.

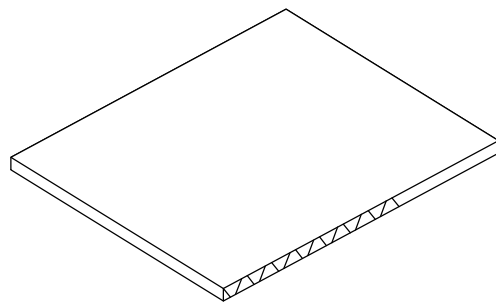
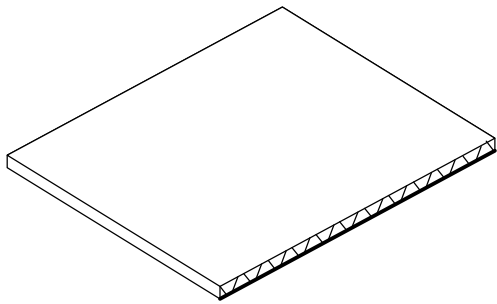
2.0 REFERENCES

- 2.1 Lockheed Packaging Standard LPS 40-001 (General Requirements Specification)
- 2.2 NAS Packaging Standards 3406, 3415
- 2.3 MIL-P-4861

3.0 REQUIREMENTS

3.1 GENERAL

- 3.1.1 The quantity per unit package shall be one (1) each.
- 3.1.2 Items shall be thoroughly clean before packaging.
- 3.1.3 Items eight (8) inches (outside diameter) and under shall not be coiled.
 - 3.1.3.1 . Items up to eight (8) inches (outside diameter) may be placed individually in a sealed bag without stiffeners, provided that, the item is not capable of doubling over itself causing a deformation.
- 3.1.4 Unless otherwise specified, items over eight (8) inches (outside diameter) shall be coiled. Carefully



3.5 **MARKING** (Unless otherwise specified in the contract or Purchasing Document use the following criteria)

3.5.1 Unit Package Marking – Rubber preformed O–rings, packings/seals furnished in accordance with material specifications (see Paragraph 5.0) shall be labeled or marked as follows:

Federal Stock Number (when required by contract or order)

Nomenclature

Military/LMSSC Part Number (as applicable)

Material Specification

Manufacturer's Name

Manufacturer's Compound Number

Manufacturer's Batch Number

Contract Number (when applicable)

Cure Date

3.5.2 Unit Packaging Marking – Other Than Rubber Preformed O–Rings, etc., (see Paragraph 3.5.1). Label or mark each package to show at least the part number per contracting document, nomenclature, and supplier identity. Additional markings may be specified in the item detail specification or drawing.

3.5.3 Intermediate Package Marking

- a. Label or mark each container containing limited life items in accordance with Paragraph 3.5.1.
- b. Label or mark containers containing items other than limited life material to show at least part number per contracting document, supplier, destination and quantity of parts.

3.5.4 Shipping Container Marking – Label or mark each container to show part number per contracting document, the LMSSC contracting document number, supplier, destination and quantity of parts.

3.5.5 Special precautionary and handling markings shall be applied as required.

4.0 QUALITY ASSURANCE

4.1 Packaging shall be accomplished in such a manner as to prevent physical damage to, or degradation of, the packaged items, during delivery to the using activity. It shall be the prerogative of LMSSC to return damaged items, at supplier's expense when such damage is attributable to improper or inadequate protection.

5.0 NOTES

5.1 The following information is intended to assist suppliers in meeting the requirements of this specification.

5.1.1 Material/specifications (preformed rubber O–rings, packing, etc.) – not limited solely to the following:

P 39

Revision 2

Page 4

04 15 2009

Commodity

Military/Commercial Specificationi